

## Description

Broadband, high efficiency sector coverage antenna with high gain over a large frequency range. Applications in sensors, communications, and SIGINT systems. Qualified for airborne and transmit applications.

## Specifications

### Electrical

Frequency Band	5-12 GHz
VSWR	<2.0:1 typical (<2.5:1 max)
Polarization	Linear
Power	10W

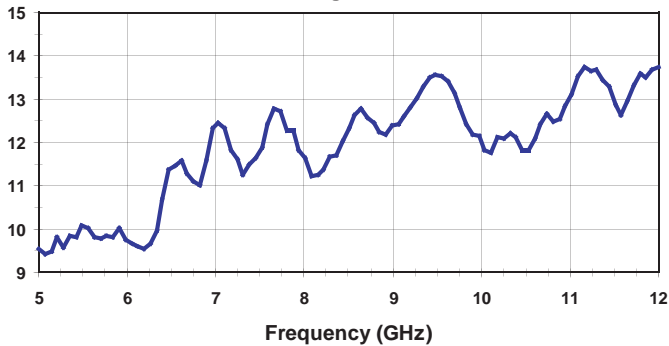
### Mechanical

Weight	2.1 oz
Dimensions	H 2.55"; W 1.18"; L 5.5"
Finish	White
Connector	SMA Female

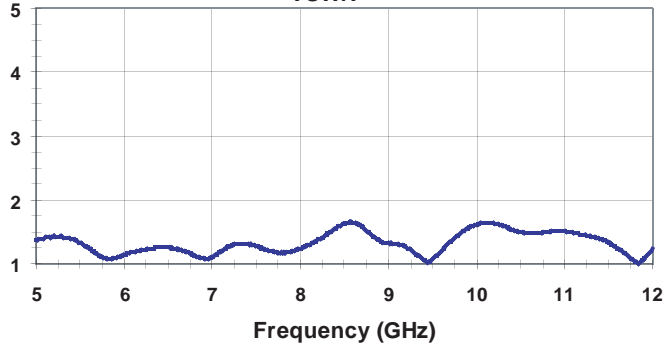
### Environmental

Shock	MILSTD 810F, 20G
Vibration	RTCA/DO-160 C
Temperature	-35° C to + 85° C

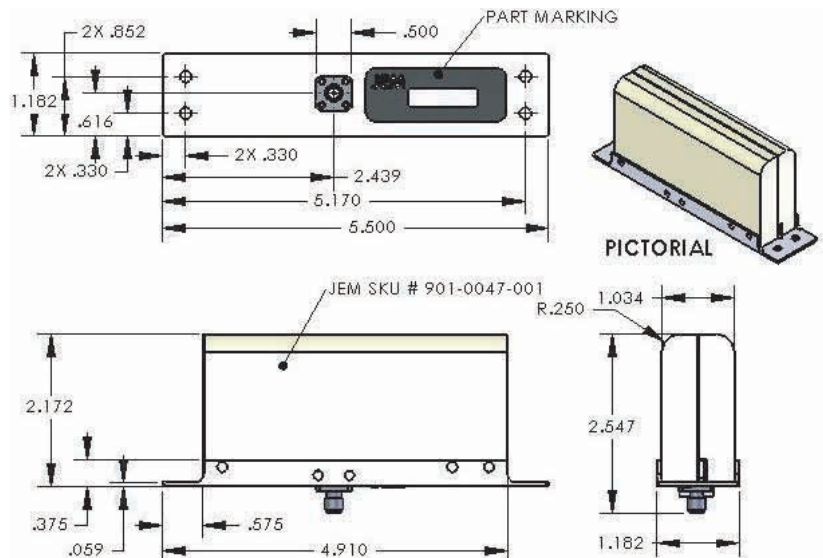
**Boresight Gain**



**VSWR**



## Physical Details



Custom Antenna Design, Manufacturing, and Testing