



## Description

Broadband antenna with quasi-monopole pattern, high radiation efficiency, and medium gain in the UHF and L Band frequency range. Applications in communications, SIGINT, sensors, and airborne platforms.

## Specifications

### Electrical

Frequency Band 550 MHz-2.55 GHz  
 VSWR <3.0:1 @ 500 MHz-2.55 GHz  
 <2.0:1 @ 700 MHz-2 GHz

Polarization Linear (Vertical)  
 Power 10W

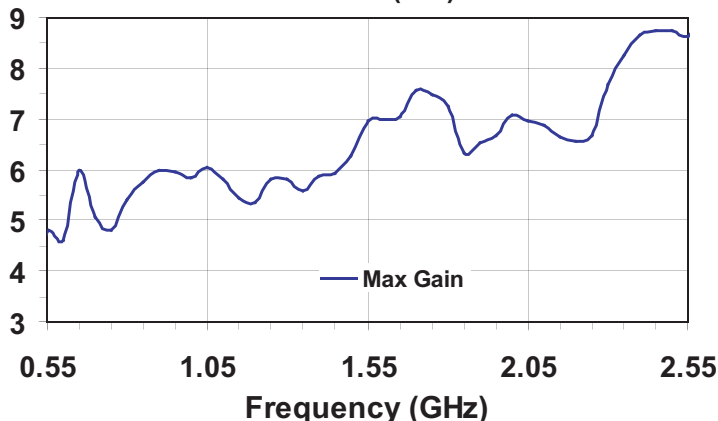
### Mechanical

Weight 9.5 oz  
 Dimensions H 3.9", W 4.575", L 4.575"  
 Finish White  
 Connector TNC Female

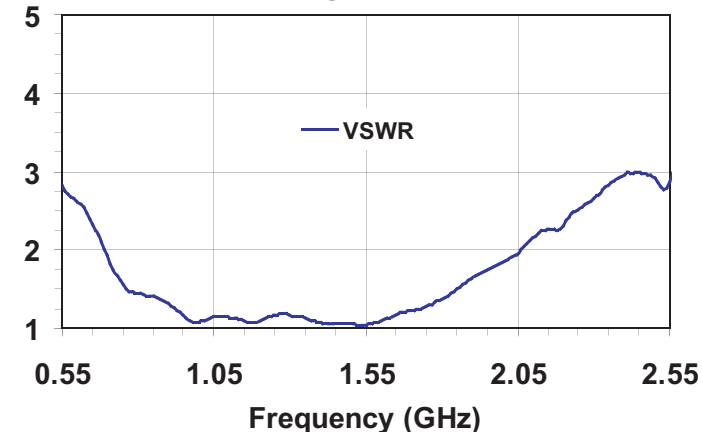
### Environmental

Shock MILSTD 810F, 20G  
 Vibration RTCA/DO-160 C  
 Temperature -35° C to + 85° C

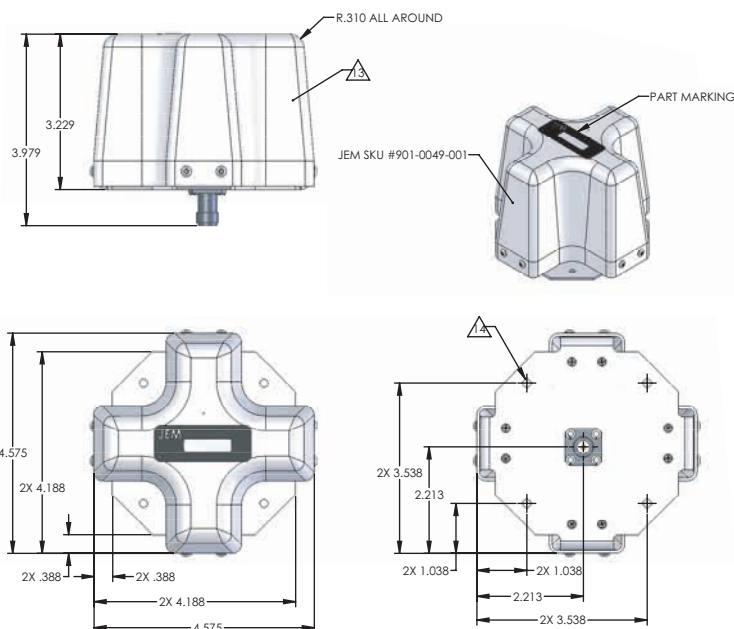
Max Gain (dBi)



VSWR

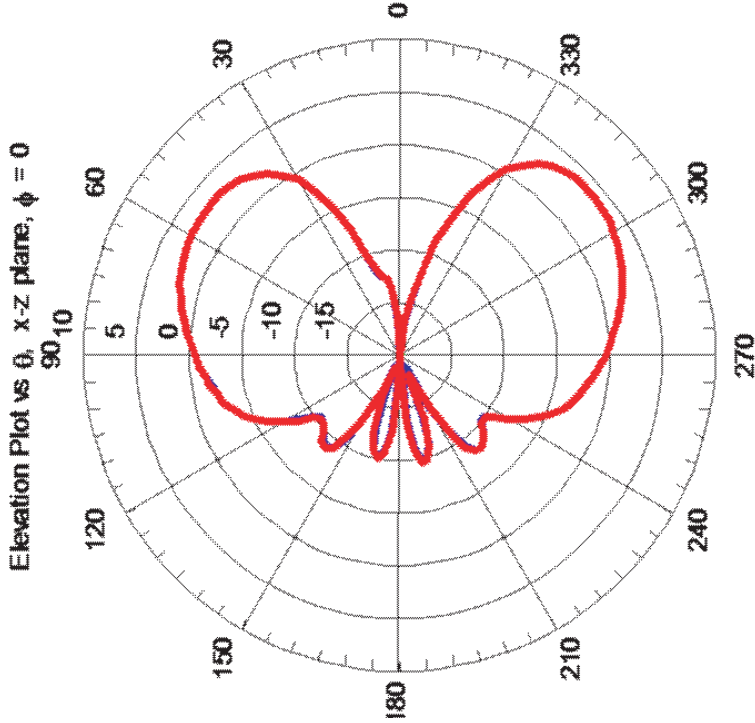


## Physical Details

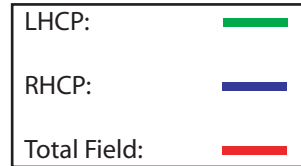
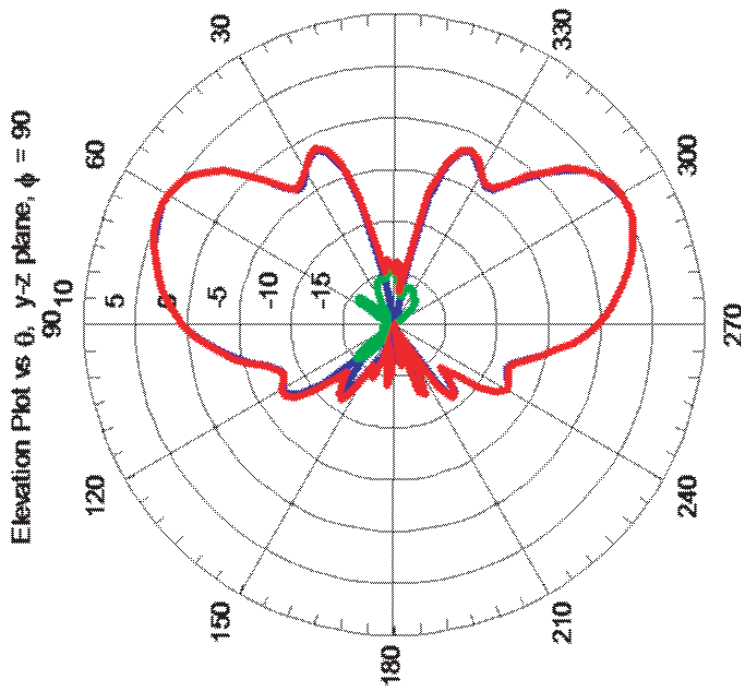


Custom Antenna Design, Manufacturing, and Testing

## 600 MHz



## 1 GHz



Custom Antenna Design, Manufacturing, and Testing