



### Description

Man-portable 8-element Adcock array of dipoles tuned for 85-110 MHz (other frequency ranges and S11 profiles available on request). Baseplate allows antenna to be mounted on a mast. Operates in harsh weather conditions and winds up to 60 MPH. Designed for direction-finding applications.

### Specifications

#### Electrical

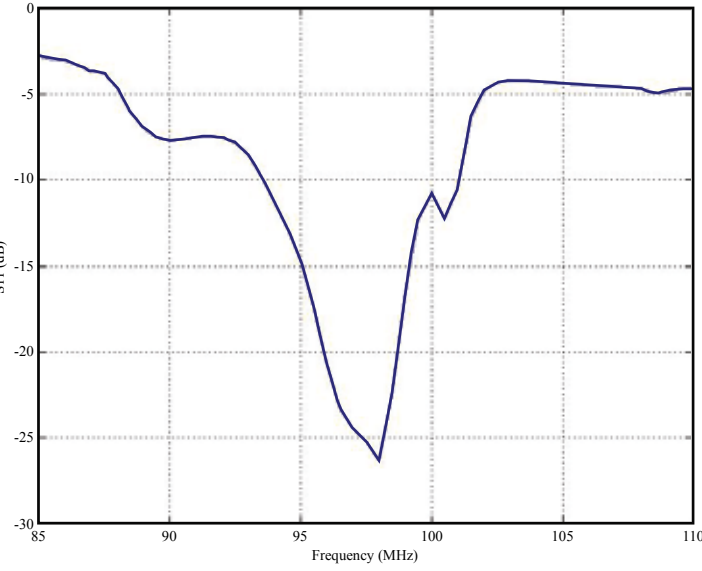
Frequency Band	85 - 110 MHz
S11:	-3 to -27 dB
Polarization	Vertical
Power	25W
Number of Ports	8

#### Mechanical

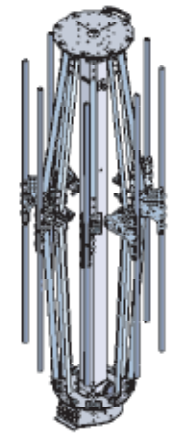
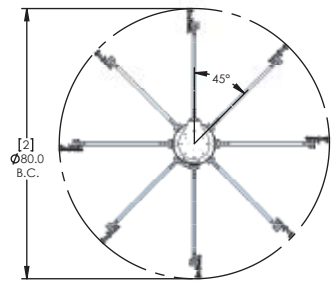
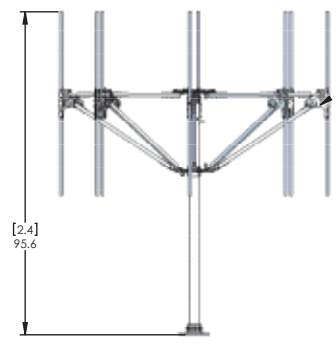
Weight	75 lbs
Dimensions	H 95.6"; Dia. 80"
Finish	Black Epoxy
Connector	N Female (TNC available)

#### Environmental

Temperature	-35° C to + 85° C
-------------	-------------------



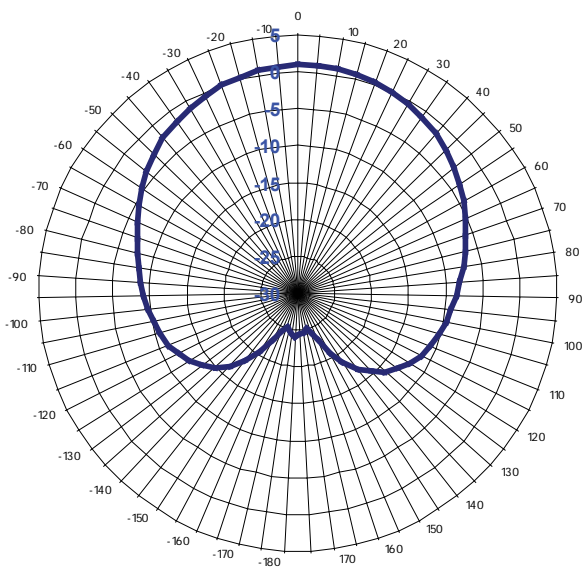
### Physical Details



COLLAPSED VIEW



Gain (DBi) vs Azimuth, 98 MHz, typical port



Custom Antenna Design, Manufacturing, and Testing